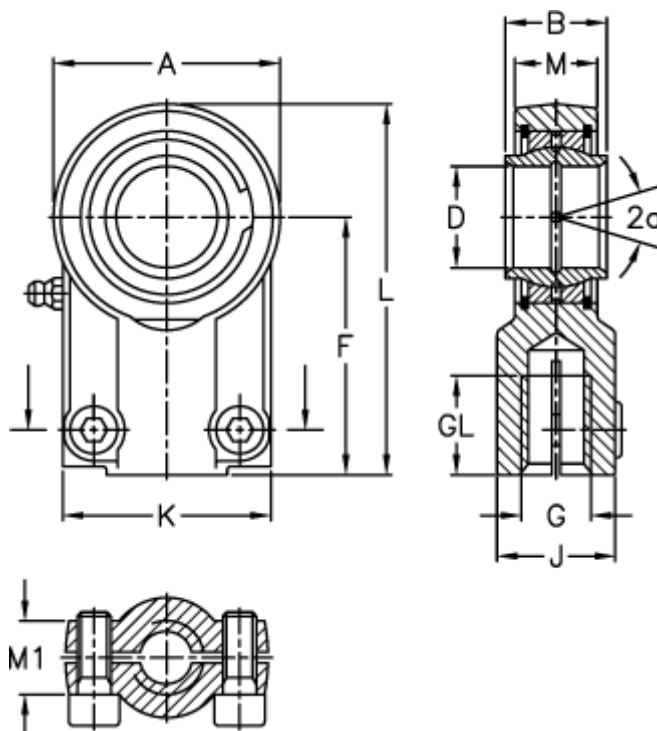


Article number: 03551050

Description: Fluro hydraulic rod end FPR 50CE

Measures



A	= 109	J	= 58
a (degrees)	= 4	K	= 96
B	= 50	L	= 179.6
D	= 50	M	= 41
Dynamic load C (kN)	= 156	M1	= 32
F	= 120	Static load C0 (kN)	= 310
g	= M42x2	Torque (N m)	= 86
GL	= 57	Weight	= 4400